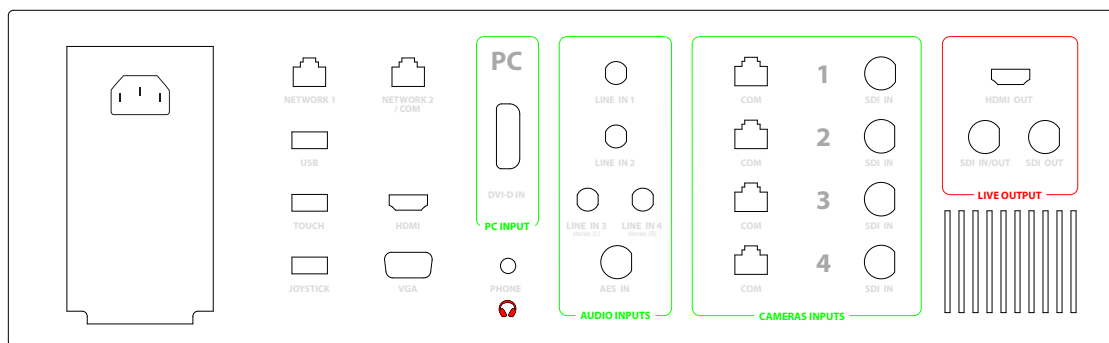


MULTICAM SDI BOX 4+1

The MULTICAM SDI server box allows to connect HD-SDI / IP and NDI[®] video sources and Analog Audio inputs embedded in physical outputs.

This 3 RU unit is recommended for Broadcast quality production mixing **up to 5 HD video feeds** (720 50p, 720 30p, 1080 50i, 1080 60i, 1080 25p, 1080 30p).

System connectivity I/O



Video inputs

- **4x HD-SDI**
- 1x HD-SDI (can be used as input or output)
- 1x DVI-D (optional)

Video outputs (audio embedded)

- 1x HD-SDI
- 1x HDMI
- 1x HD-SDI (can be used as input or output)

Audio inputs

- 2x Line mono (balanced analog 1/4 inch jack)
- 1x Line stereo (balanced analog 1/4 inch jack)
- 1x AES/EBU (unbalanced)

Network

- 2x Gigabit LAN

Data/Peripherals

- 1x 128GB SSD Hard Drive (System)
- 1x 1TB 7200rpm Hard Drive (Records)
- 5x USB 3.0
- 1x HDMI or VGA (GUI)
- 1x 1/4" Headphones Jack
- **4x Serial com** (Visca control)

Hardware / Software

CPU : Intel Xeon Quad-Core 3.6Ghz 2123

Operating system: Windows 10 Pro 64bits

RAM : 16GB DDR4 ECC

Voltage: 220V 50-60Hz

MULTICAM SDI BOX 4+1

Video performances

The MULTICAM SDI BOX 4+1 can achieve video mixing while encoding for record and live streaming.

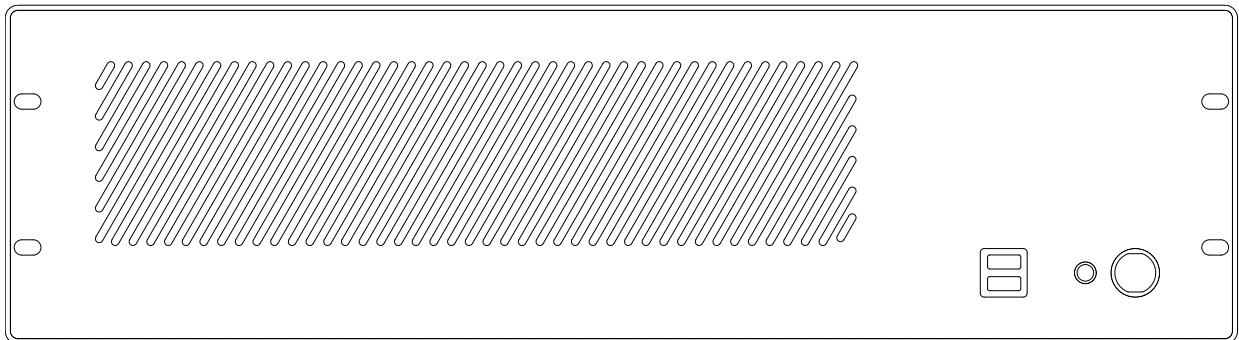
HD video mixing

- up to 5x Video feeds (HD-SDI and DVI-D and IP/NDI) 720 50p, 720 30p, 1080 50i, 1080 60i, 1080 25p, 1080 30p.

HD video encoding

- 2x MP4 H.264 (GPU)
- 1x MP4 H.264 (CPU) less 2 Mbps

Physical specifications



Unit dimensions: 482mm (19") W x 133mm (3U) H x 405mm D

Unit weight: 9 kg

Packed dimensions: 600mm W x 220mm H x 556mm D

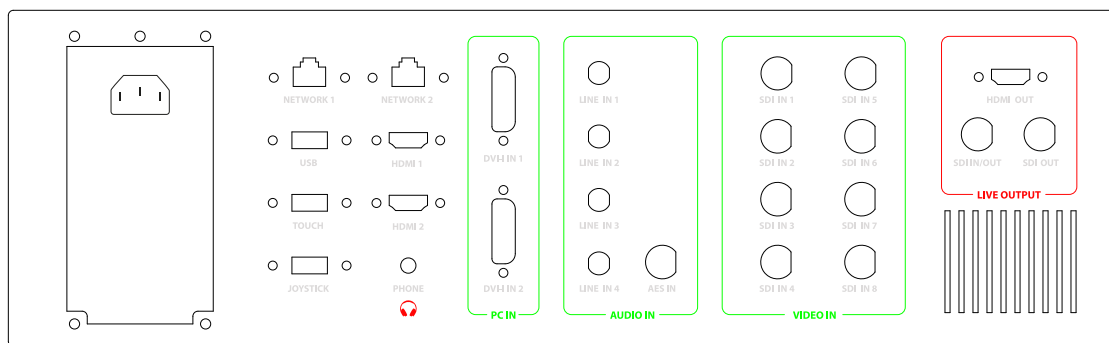
Packed weight: 10 kg

MULTICAM SDI BOX 8+1

The MULTICAM SDI server box allows to connect HD-SDI / IP and NDI[®] video sources and Analog Audio inputs embedded in physical outputs.

This 3 RU unit is recommended for Broadcast quality production mixing **up to 8 HD video feeds (720 50p, 720 30p, 1080 50i, 1080 60i, 1080 25p, 1080 30p)**.

System connectivity I/O



Video inputs

- 8x HD-SDI
- 2x DVI-D (optional)

Video outputs (audio embedded)

- 1x HD-SDI
- 1x HDMI
- 1x HD-SDI

Audio inputs

- 2x Line mono (balanced analog 1/4 inch jack)
- 1x Line stereo (balanced analog 1/4 inch jack)
- 1x AES/EBU (unbalanced)

Network

- 2x Gigabit LAN

Data/Peripherals

- 1x 128GB SSD Hard Drive (System)
- 1x 1TB 7200rpm Hard Drive (Records)
- 5x USB 3.0
- 1x HDMI or VGA (GUI)
- 1x 1/4" Headphones Jack

Hardware / Software

CPU : Intel Xeon Quad-Core 3.6Ghz 2133

Operating system: Windows 10 Pro 64bits

RAM : 16GB DDR4 ECC

Voltage: 220V 50-60Hz

MULTICAM SDI BOX 8+1

Video performances

The MULTICAM SDI BOX 4+1 can achieve video mixing while encoding for record and live streaming.

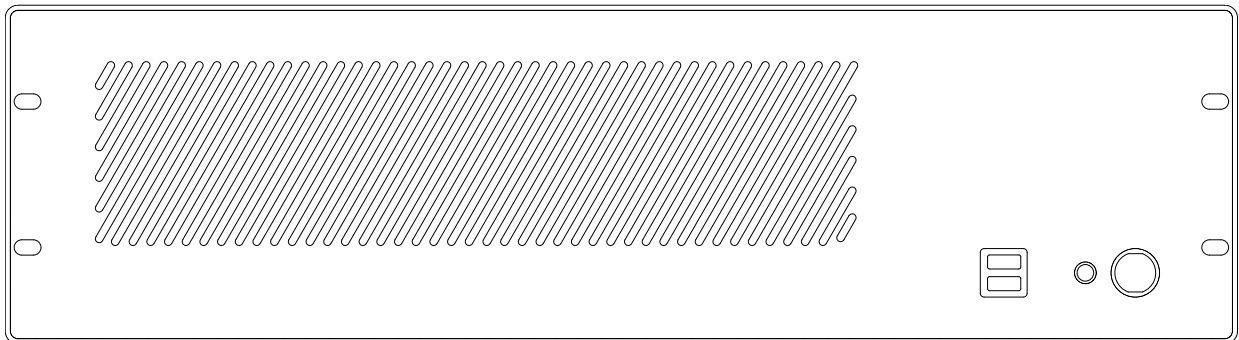
HD video mixing

- up to 9x Video feeds (HD-SDI and DVI-D and IP/NDI) / 720 50p, 720 30p, 1080 50i, 1080 60i, 1080 25p, 1080 30p.

HD video encoding

- 2x MP4 H.264 (GPU)
- 1x MP4 H.264 (CPU) less 2 Mbps

Physical specifications



Unit dimensions: 482mm (19") W x 133mm (3U) H x 405mm D

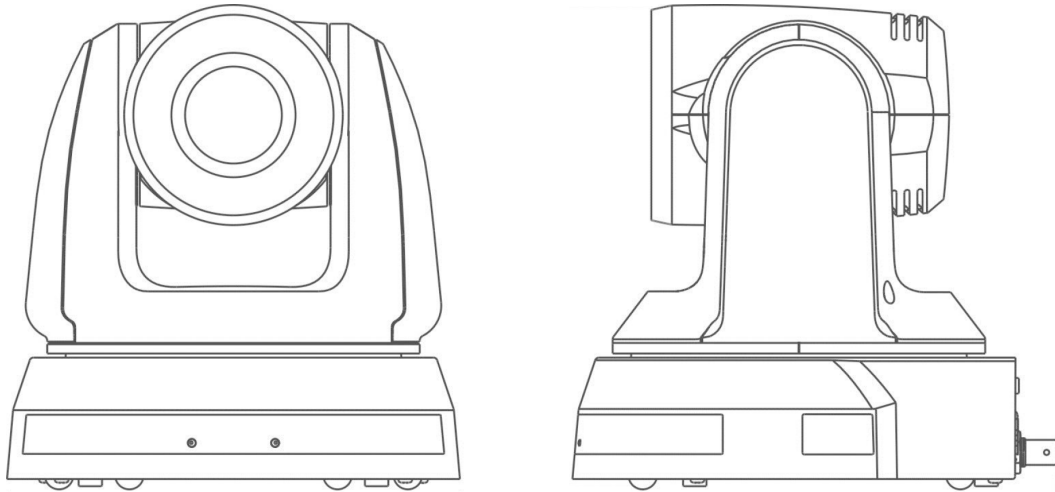
Unit weight: 9 kg

Packed dimensions: 600mm W x 220mm H x 556mm D

Packed weight: 10 kg

MULTICAM CAMERA **mCAM PTZ**

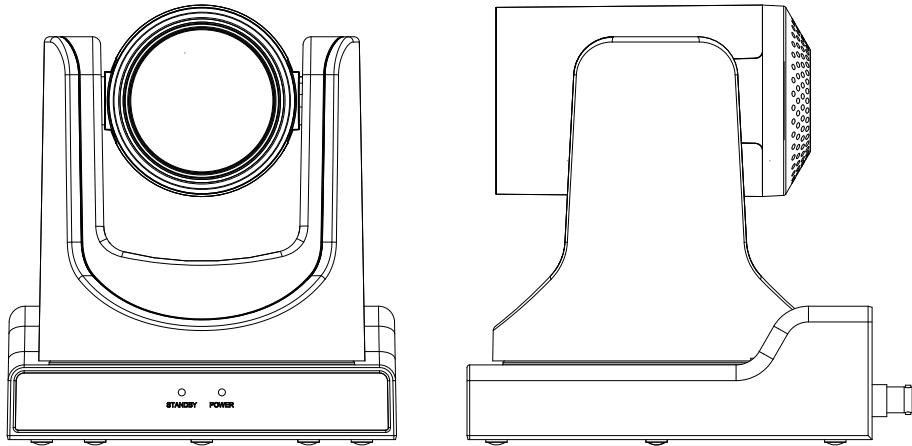
The mCAM PTZ camera is offering both HD-SDI and IP video signal.
With POE+ support, no need for a power plug.



Sensor	1/2.8" 2MP CMOS
Lens	f4.7 ~ 94 mm, F1.6 ~ F3.5
Video Output	1080p 60 / 59.94 / 50 / 30 / 29.97 fps, 1080i 60 / 50 fps, 720p 60 / 59.94 / 50 fps
Optical Zoom	30x
Panning Angle	-170° ~ +170°
Tilting Angle	-30° ~ +90°
Preset Positions	128
Video Output interface	HDMI, 3G-SDI, Ethernet
Network Interface	ONVIF / RTSP Streaming / RTMP Streaming POE+ (802.3at) IP Control
Control Protocol	RS-232 / RS-422 / Ethernet
Weight	1,8kg
Dimensions	174 x 185.5 x 186.2 mm (6.85" x 7.3" x 7.3")
Packed Dimensions / Weight	300 x 250 x 250 mm (2,8kg)

MULTICAM CAMERA **mCAM 2 PTZ**

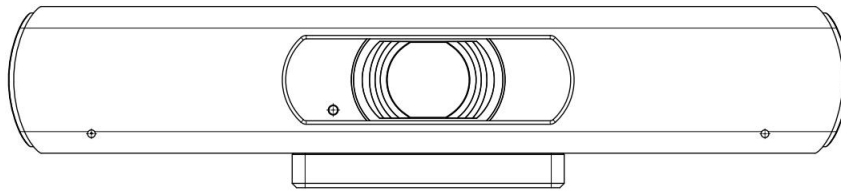
The mCAM PTZ camera is offering both HD-SDI and IP video signal.
With POE+ support, no need for a power plug.



Sensor	1/2.7" 2.07MP CMOS
Lens	f3.5 ~ 42.3mm, F1.8 ~ F2.8
Video Output	1080p 60 / 50 / 30 / 25 fps, 1080i 60 / 50 fps, 720p 60 / 50 / 30 / 25 fps
Optical Zoom	12x
Panning Angle	-170° ~ +170°
Tilting Angle	-30° ~ +90°
Preset Positions	255
Video Output interface	HDMI, 3G-SDI, Ethernet
Network Interface	ONVIF / RTSP Streaming / RTMP Streaming POE+ (802.3af) IP Control
Control Protocol	RS-232 / RS-422 / Ethernet
Weight	1,4kg
Dimensions	

MULTICAM CAMERA **mCAM Fix**

The mCAM Fix camera is offering IP video signal. With POE+ support, no need for a power plug. You can choose the lens you want according to field of view you are targeting.



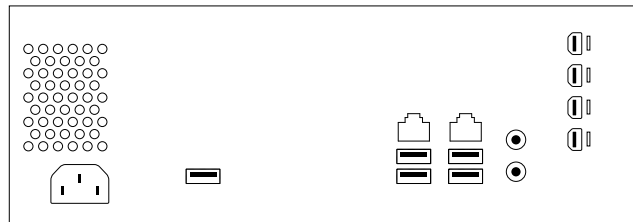
Sensor	1/2.5" 8.51MP CMOS
Lens 1	f7.35mm (46°)
Lens 2 (default)	f3.5mm (84°)
Lens 3	f2.8mm (120°)
Video Output	2160p 30 / 25 fps, 1080p 60 / 50 / 30 / 25 fps, 720p 60 / 50 fps
Video Output interface	Ethernet USB (UVC v1.0 / 1.1 / 1.5)
Network Interface	ONVIF / RTSP Streaming / RTMP Streaming POE+ (802.3af) IP Control
Control Protocol	RS-232 / RS-422 / Ethernet
Weight	0,5kg
Dimensions	194 x 34 x 42 mm

MULTICAM IP BOX

The MULTICAM IP server box allows to connect IP and NDI[®] video sources. No capture cards so audio has to be received through Sound Devices (USB or AOIP).

This 2 RU unit (ears included) is recommended for Webcast quality production mixing **up to 4 HD video feeds (720 50p, 720 30p, 1080 50i, 1080 60i, 1080 25p, 1080 30p)**.

System connectivity I/O



Video inputs/outputs (display monitor)

- IP streams only (NDI, IP, RSTP, ...)

Audio inputs

- Virtual sound devices (USB, AOIP)
- 1x 1/4" Line in Jack

Network

- 2x Gigabit LAN

Data/Peripherals

- 1x 128GB SSD Hard Drive (System)
- 1x 1TB 7200rpm Hard Drive (Records)
- 4x USB 3.0 + 2x USB 2.0
- 4x mini-Displayport with DP and HDMI adaptors
- 1x 1/4" Headphones Jack

Hardware / Software

CPU : Intel i7-7700 3.6Ghz

RAM : 8GB DDR4 ECC

Voltage: 220V 50-60Hz

Operating system: Windows 10 Pro 64bits

MULTICAM IP BOX

Video performances

The MULTICAM IP BOX can achieve video mixing while encoding for record and live streaming.

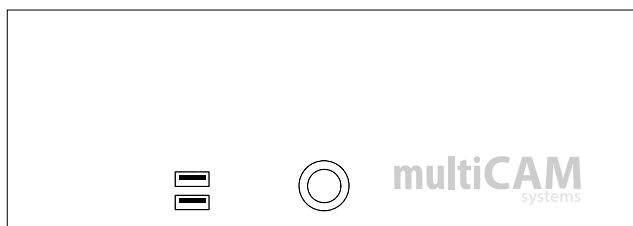
HD video mixing

- up to 4x Video feeds (IP/NDI) / 720 50p, 720 30p, 1080 50i, 1080 60i, 1080 25p, 1080 30p.

HD video encoding

- 2x MP4 H.264 (GPU)

Physical specifications



Unit dimensions: 245mm (19") W x 90mm (2U) H x 220mm D

Unit weight: 3,5 kg

Packed dimensions: 250mm W x 140mm H x 320mm D

Packed weight: 4,5 kg